



BAINTEX

HomeSafe

BOOK OF INSTRUCTIONS



INDEX

Product description	3
Identification of the parties	3
Method of use	4
Commissioning	4
Precautions	5
Technical specifications	6
Cleaning and maintenance	7
Warranty	7
Declaration of Conformity	8

1. PRODUCT'S DESCRIPTION

HomeSafe is an appliance that uses ultraviolet light technology to disinfect objects that are deposited inside. It can be used to disinfect all types of everyday objects: parcels, shoes, clothes, food, packaging, etc.

Its size and functionality make it ideal for small installations of particular use, such as flats or terraced houses.

It has two 18-watt "uv-c" ultraviolet light lamps, each strategically placed to cover the entire space, supported by the stainless steel covering the walls for greater refraction and effectiveness of disinfection

2. PARTY IDENTIFICATION



3. METHOD OF USE

1. Place the objects to be disinfected inside.

**It is necessary that the light falls on the entire surface of the object to be disinfected, for this purpose a minimum separation of 3 cm must be left between the object and the walls of the HomeSafe.*

**In the case of introducing several objects, a separation of at least 3 cm must be left between them, ensuring that the light falls on the entire surface of the objects.*

2. Close the door.

3. Press the selector:

**Turning the time selector will illuminate the red light, if the light does not illuminate, your HomeSafe may not be performing the disinfection process correctly. If the red light does not light up when activated, please contact the service department.*

** You can change the disinfection time by turning the selector.*

** To change the default time, turn the selector switch to the desired time and hold it down until the acoustic warning is heard*

4. When the red light goes out, you can remove your objects.

**If the door is opened in the middle of a disinfection process, the lights will automatically turn off.*

**Once the first 3-minute cycle is completed, it is recommended to turn the objects over and start a new cycle to ensure proper disinfection.*

5. SETTING UP

During the installation, respect the electrical installation regulations in force in the country of use. HomeSafe is delivered fully assembled and operational, for the start-up you only need:

- Unpacking the product
- Connect HomeSafe to a power outlet.
- Turn on the appliance with the switch on the back.

6. PRECAUTIONS

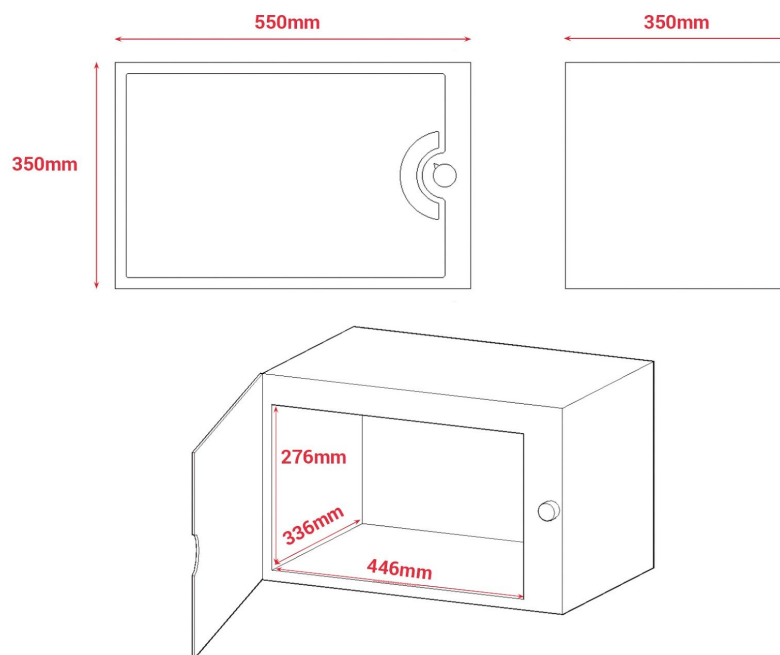
- This device may be used by children aged 8 years and older and by persons with reduced physical, sensory or mental capabilities or lack of experience or knowledge, if they have been given appropriate supervision or training with respect to the safe use of the device and understand the hazards involved. Children should not play with the device. Cleaning and maintenance to be carried out by the user must not be carried out by children without supervision.
- Do not bring any living creatures into the disinfection area.
- Avoid touching the lamps directly with your hands.
- If the power cable is damaged, it must be replaced by the manufacturer, its after-sales service or similarly qualified personnel in order to avoid a hazard.
- A disconnection system must be incorporated into the fixed wiring. For the electrical connection, an isolator switch must be incorporated to ensure all-pole disconnection, directly connected to the supply terminals and must have contact separation on all poles, providing total disconnection under

category III overvoltage conditions, in an area that complies with the safety regulations of the site. The means for disconnection must be incorporated in the fixed wiring in accordance with the wiring rules of the country and the applicable regulations.

- Prolonged exposure to UV-C light can be harmful to your health. For your safety, do not modify or alter the characteristics of your HomeSafe.
- The red light comes on when the disinfection process is in progress. If one of the lamps is not working properly, the light will not come on.
- Do not apply disinfectant to objects before placing them in the HomeSafe, it could cause a chemical reaction.

7. TECHNICAL SPECIFICATIONS

- **Measures:**



*Maximum object size admitted 20x38x27 cm

- **Power supply:**
 - 230 VAC
 - L+N+TT
 - 50Hz
- **Maximum power:**
 - 35 W
- **Digital LCD display**
 - Size: 30mm x 15 mm
- **Characteristics of the lamps:**
 - Low pressure lamps, mainly in the short wave ultraviolet range, ecological alternative to chemical purification processes.

- HomeSafe has a total of 2 lamps.
- Single UV-C peak at a wavelength of 254 nm.
- Lamp power: 2x18w.
- High efficiency (30% UV-C output).
- Does not generate ozone.
- With transparent UV-C coating of long duration.

8. MAINTENANCE AND CLEANING

- **Inside**

- It is recommended to use a microfiber cloth that we will pass with hot water and some ammonia cleaner.
- The following products should be avoided:
 - Detergent powder (scratches)
 - Stainless steel abrasive scourers (scratches)
 - Silver Cleaners (corrosion)
 - Bleaches and other chlorinated derivatives (corrosion)

- **Outside**

- Wet a cloth and dry the surface with a soft cloth.

9. GUARANTEE

The warranty extends only to defects caused by material or production faults and is limited to the repair of such faults or the replacement of the device. Our warranty does not cover any additional services for damage caused by non-compliance with the installation instructions or by unprofessional installation, non-compliance with the operating instructions, improper or incorrect use, non-compliance with maintenance and safety regulations or normal wear and tear. The warranty claim becomes invalid if any work has already been carried out on the device by unauthorised personnel.

10. DECLARATION OF COMPLIANCE

Antonio Pérez Cortés hereby certifies that the appliance with HomeSafe functionality complies with the basic requirements and basic general provisions stipulated in Directive 1999/5/EC.

A detailed declaration of conformity can be found at www.baintex.com in the support section.





BAINTEX

www.baintex.com