

# EASY PARKING BASIC (5 users)

With **Easy Parking Basic**, the garage door opens automatically when the vehicle arrives, no need to touch your phone. Available for android and iOS and compatible with Siri and Google Assistant for voice opening.

## CONTENTS

### Includes:

- 1 Actuator device
- 1 Antenna
- 1 Power supply 24V

### Installation tools:

- 1 terminal block
- Wire ferrule connector
- 1 circular plates and screws
- Adhesives

## TECHNICAL SPECIFICATIONS:

- Supply voltage: 18-48 VDC / 24-36 VAC
- Consumption: 360mW
- Maximum relay current: 10A
- Maximum relay voltage: 48V
- Communication technology: Bluetooth
- Maximum emission power:: 20dBm
- Power supply: In:230V, out:24VDC



Actuator device

Antenna

# EASY PARKING BASIC (5 users)

*Installation by a professional is recommended. The actuating device must not be wetted or come into direct contact with water. Install it inside the engine control panel.*

## QUICK INSTALLATION GUIDE

### INSTALLATION:

- Install the actuator device.
- Pinout terminal block description:
  - Five position terminal block header. Wire Gauge 3mm<sup>2</sup> or 12AWG.
- Connect the antenna to the actuator device.

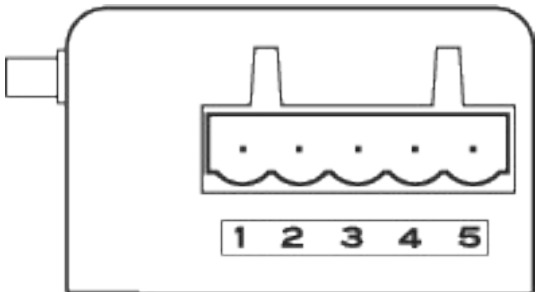
### LINK TO THE APPLICATION:

- Download the EVEROU app and register.
- Select Access category.
- Add device.

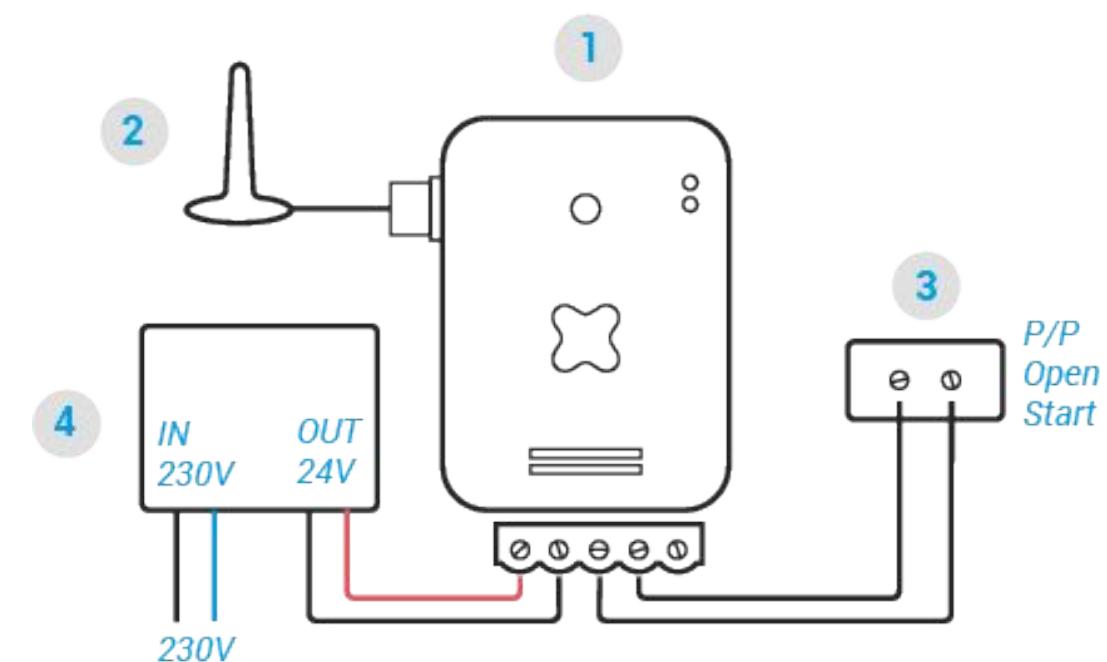


Installation video on our [channel 'Baintex'](#)

### TERMINAL BLOCK



PINOUT TERMINAL BLOCK DESCRIPTION	
1	+24V
2	GND
3	Output Circuit
4	Input Circuit
5	No connection



- 1 Actuator device
- 2 Antenna
- 3 Motor control board
- 4 Power supply

# EASY PARKING BASIC (2 users)

With **Easy Parking Basic**, the garage door opens automatically when the vehicle arrives, no need to touch your phone. Available for android and iOS and compatible with Siri and Google Assistant for voice opening.

## CONTENTS

**Includes:**

- 1 Actuator device

**Installation tools:**

- 1 terminal block
- Wire ferrule connector
- Adhesives

## TECHNICAL SPECIFICATIONS:

- Supply voltage: 24 VAC/DC, 230VAC
- Consumption: 360mW
- Maximum relay current: 10A
- Maximum relay voltage: 48V
- Communication technology: Bluetooth
- Maximum emission power:: 20dBm
- Power supply: In:230V, out:24VDC



Actuator device

# EASY PARKING BASIC (2 users)

*Installation by a professional is recommended. The actuating device must not be wetted or come into direct contact with water. Install it inside the engine control panel.*

## QUICK INSTALLATION GUIDE

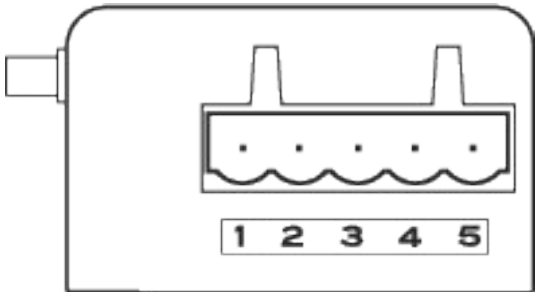
### INSTALLATION:

- **Install the actuator device.**
- **Pinout terminal block description:**
  - Five position terminal block header. Wire Gauge 3mm<sup>2</sup> or 12AWG.

### LINK TO THE APPLICATION:

- **Download the EVEROU app and register.**
- **Select Access category.**
- **Add device.**

**TERMINAL BLOCK**



PINOUT TERMINAL BLOCK DESCRIPTION	
1	230V (PHASE)
2	230V (NEUTRAL)
3	Output Circuit
4	Input Circuit
5	No connection

